

**E214C0627W; E214C0630W**  
**E214C0727W; E214C0730W**

2" LED Round Baffle Insert



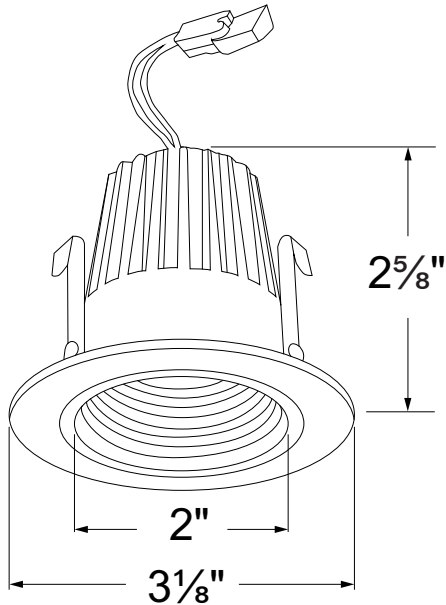
**PROJECT INFORMATION:**

Project Name: \_\_\_\_\_

Fixture Type: \_\_\_\_\_

Date: \_\_\_\_\_

**DIMENSIONS**



**PRODUCT SPECIFICATIONS**

- Suitable for use in fixtures installed in insulated ceilings.
- Suitable for new construction and remodel housings.
- Suitable for installation into a 2" recessed fixtures with 2-wire connector.
- Housing meets restricted air flow requirement (per ASTM E-283).
- CA Title 24 compliant.
- Meets ENERGY STAR requirements.

**Lamp:** LED COB chip CRI 90, Dimmable with Compatible Housing.

**E214C0627W:** 9W, 2700K, 600 lm, 36° beam angle

**E214C0630W:** 9W, 3000K, 640 lm, 36° beam angle

**E214C0727W:** 9W, 2700K, 750 lm, 36° beam angle

**E214C0730W:** 9W, 3000K, 800 lm, 36° beam angle

**Life-span:** 50,000 hours

**Labels:** U.L. listed for wet locations

**Warranty:** 5 years limited

**CATALOG NUMBER**

- Inserts:** E214C0627W  
E214C0630W  
E214C0627W  
E214C0630W